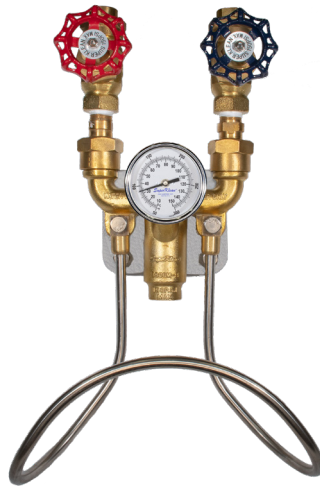


# SuperKlean

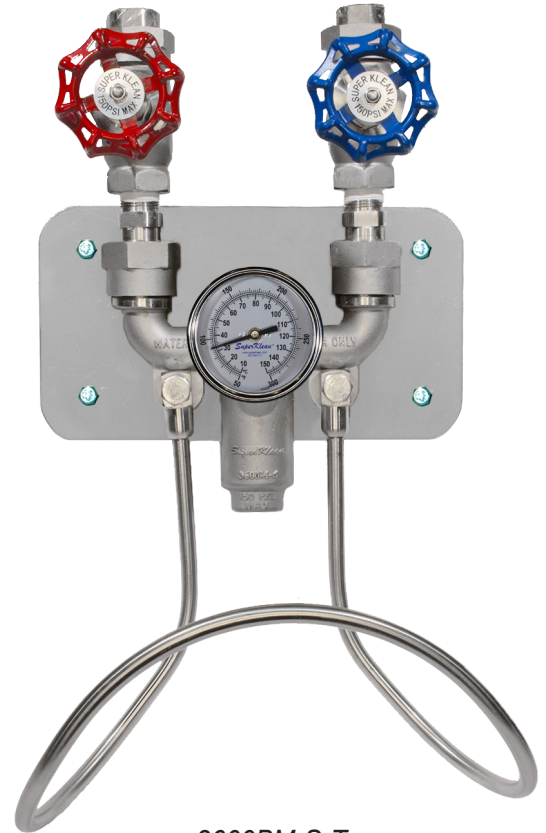
## Environmentally Exceptional Washdown Products

### 3600M Series Steam & Cold Water Mixing Station (3600M-B, 3600M-B-T, 3600M-S, 3600M-S-T)

- Incorporated Y-style body with check valves and ball joint unions for superior flexibility during installation.
- Inlet center lines which have the same dimensions as most of our competitors.
- Includes mounting plate, hose rack, and optional temperature gauge.



3600BM-B-T

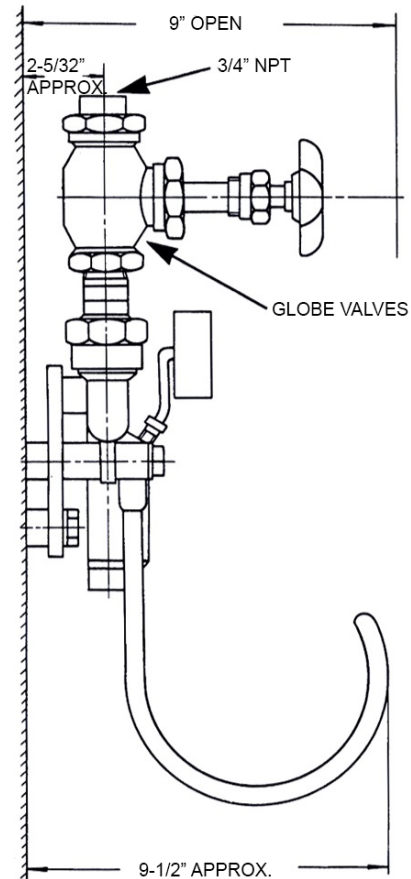
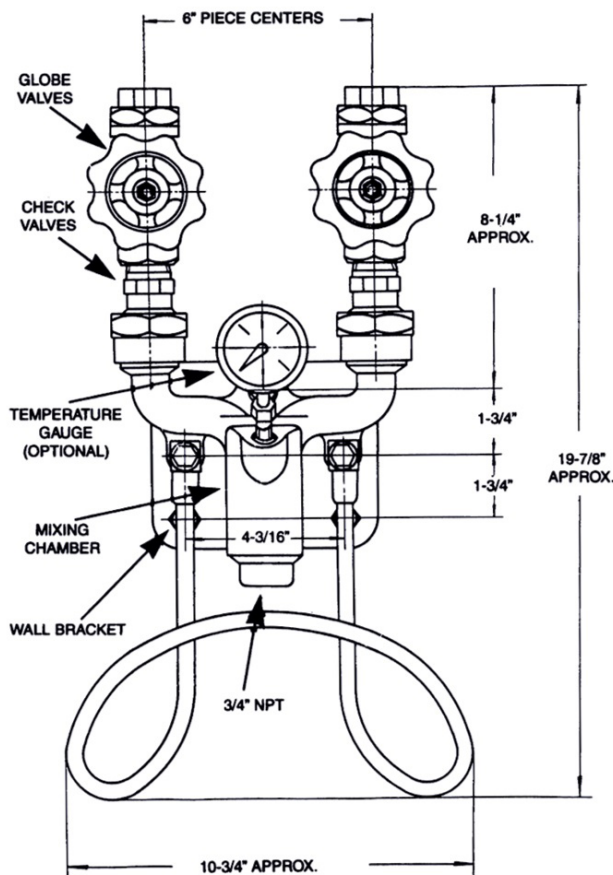


3600BM-S-T

	<b>3600M-B, 3600M-B-T</b>	<b>3600M-S, 3600M-S-T</b>
Inlet/Outlet Diameter:	3/4" NPT	3/4" NPT
Globe Valves:	Brass	304 Stainless Steel
Mixer Body:	Brass	304 Stainless Steel
Check Valves:	304 Stainless Steel	304 Stainless Steel
Hose Rack:	304 Stainless Steel	304 Stainless Steel
Temperature Gauge (Optional):	Stainless Steel	Stainless Steel
Weight:	20 lbs, 21 lbs	24 lbs, 25 lbs
<b>Recommended Operative Conditions</b>		
Maximum Temperature:	200 °F (93 °C)	200 °F (93 °C)
Maximum Pressure:	150 PSI	150 PSI

# SuperKlean™

Environmentally Exceptional Washdown Products



Part #	Description
GVCP-8	Globe valve stem packing (Teflon)
GVCP-9	Globe valve stem nut gasket (Teflon)
GVCP-10	Globe valve poppet (Teflon Seal)
GVCP-11	Globe valve connection nut gasket (Teflon)
GVCP-14	Check valve connection gasket. Copper
HAND WHEEL-(BLUE)	Globe valve hand wheel (Blue)
HAND WHEEL-(RED)	Globe valve hand wheel (Red)
GV-3600-BLUE	Globe valve for hot and cold water mixing unit. Brass. Cold water side.
GV-3600-RED	Globe valve for hot and cold water mixing unit. Brass. Hold water side.
GV-3600-SS-BLUE	Globe valve for hot and cold water mixing unit. Stainless Steel. Cold water side.
GV-3600-SS-RED	Globe valve for hot and cold water mixing unit. Stainless. Hold water side.
CV-WATER-B	Check valve for 3600 series unit, brass
CV-WATER-S	Check valve for 3600 series unit, stainless steel