

Premium Duty Spring Retractable Reels

Air/Water/Oil/Grease - 1/4", 3/8", 1/2" I.D.

- Compact for a wide range of applications with critical space requirements
- Robotically welded steel base offers maximum strength and consistent quality
- All steel components are powder coated
- Inlet hose is plumbed into the base to eliminate the risk of stress on the swivel
- Reels include a speed latch mechanism that uses a cam and disc for quiet operation
- Guide arm adjusts to two positions for maximum corrosion resistance



5635 OLP



5650 OLP

See operating instructions for optimum mounting configuration.

Additional Series 5000 / 5005 Models

- Enclosed Reels** - Page 11
- Twin Hydraulic** - Page 17
- Pre-Rinse/Potable** - Page 18
- Stainless Steel** - Page 19
- Cord Reels** - Page 28-29
- Welding Gas** - Page 32-33

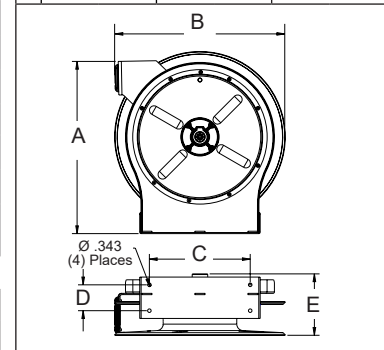


Models with a ★ icon are our most popular models.

| Model with hose & bumper | Shipping Weight | | Hose I.D. | | Hose O.D. | | Hose Length | | Max Pressure | | NPT(M) Hose Outlet | NPT(F) Reel Inlet | NPT(F) Reel Outlet | Size Index # | | | | |
|-------------------------------------|-----------------|----|-----------|----|-----------|----|-------------|----|--------------|-----|------------------------------------|-------------------|--------------------|--------------|--|--|--|--|
| | lbs | kg | in | mm | in | mm | ft | m | psi | bar | in | in | in | | | | | |
| Low Pressure Air/Water Reels | | | | | | | | | | | Maximum Temperature 150 °F (65 °C) | | | | Max working pressure is at 70 °F (20 °C) | | | |
| 5450 OLP | 26 | 12 | 1/4 | 6 | .475 | 12 | 50 | 15 | 300 | 21 | 1/4 | 3/8 | 1/4 | 1 | | | | |
| 5635 OLP | 25 | 11 | 3/8 | 10 | .600 | 15 | 35 | 11 | 300 | 21 | 1/4 | 3/8 | 1/4 | 1 | | | | |
| 5650 OLP ★ | 36 | 16 | 3/8 | 10 | .600 | 15 | 50 | 15 | 300 | 21 | 1/4 | 3/8 | 1/4 | 2 | | | | |
| 5650 OLPSMR | 36 | 16 | 3/8 | 10 | .600 | 15 | 50 | 15 | 300 | 21 | 1/4 | 3/8 | 1/4 | * | | | | |
| A5825 OLP | 27 | 12 | 1/2 | 13 | .750 | 19 | 25 | 8 | 300 | 21 | 1/2 | 3/8 | 1/2 | 1 | | | | |
| A5835 OLP | 39 | 18 | 1/2 | 13 | .750 | 19 | 35 | 11 | 300 | 21 | 3/8 | 3/8 | 1/2 | 2 | | | | |
| A5850 OLP ★ | 41 | 19 | 1/2 | 13 | .750 | 19 | 50 | 15 | 300 | 21 | 1/2 | 3/8 | 1/2 | 3 | | | | |
| Medium Pressure Oil Reels | | | | | | | | | | | Maximum Temperature 210 °F (99 °C) | | | | | | | |
| 5630 OMP | 31 | 14 | 3/8 | 10 | .690 | 18 | 30 | 9 | 2600 | 179 | 3/8 | 3/8 | 3/8 | 1 | | | | |
| A5835 OMP | 42 | 19 | 1/2 | 13 | .820 | 21 | 35 | 11 | 3000 | 207 | 1/2 | 3/8 | 1/2 | 2 | | | | |

Low pressure reels supplied with PVC hose. Medium pressure reels supplied with S.A.E. 100R1-AT (3/8") or S.A.E. 100R17 (1/2") one wire braid hose. *Side mount configuration; visit reelcraft.com for dimensions.

| | Dimensions | | | | | |
|----------|--------------------------------|-----|--------------------------------|-----|--------------------------------|-----|
| | 1 | | 2 | | 3 | |
| | in | mm | in | mm | in | mm |
| A | 14 ³ / ₈ | 365 | 17 ⁵ / ₈ | 448 | 17 ⁵ / ₈ | 448 |
| B | 13 ³ / ₄ | 349 | 16 ³ / ₄ | 425 | 16 ³ / ₄ | 425 |
| C | 9 ³ / ₄ | 248 | 9 ³ / ₄ | 248 | 9 ³ / ₄ | 248 |
| D | 2 ¹ / ₂ | 64 | 2 ¹ / ₂ | 64 | 2 ¹ / ₂ | 64 |
| E | 6 ¹ / ₈ | 156 | 5 ⁷ / ₈ | 149 | 7 ¹ / ₄ | 184 |



| Model without hose & bumper | Shipping Weight | | Hose Capacity | | | | Max Pressure | NPT(F) Reel Inlet | NPT(F) Reel Outlet | Size Index # | | | |
|-------------------------------------|-----------------|----|---------------|----|--------|----|--------------|-------------------|--------------------|--------------|-----|-----|---|
| | lbs | kg | I.D. | | Length | | | | | | | | |
| Low Pressure Air/Water Reels | | | | | | | | | | | | | |
| Maximum Temperature 210 °F (99 °C) | | | | | | | | | | | | | |
| 5400 OLP | 20 | 9 | 1/4 | 6 | .475 | 12 | 50 | 15 | 500 | 35 | 3/8 | 1/4 | 1 |
| 5600 OLP | 21 | 10 | 3/8 | 10 | .600 | 15 | 35 | 11 | 500 | 35 | 3/8 | 1/4 | 1 |
| 5605 OLP | 21 | 10 | 3/8 | 10 | .600 | 15 | 50 | 15 | 500 | 35 | 3/8 | 1/4 | 2 |
| A5800 OLP | 22 | 10 | 1/2 | 13 | .750 | 19 | 25 | 8 | 500 | 35 | 3/8 | 1/2 | 1 |
| A5806 OLP | 35 | 16 | 1/2 | 13 | .750 | 19 | 50 | 15 | 500 | 35 | 3/8 | 1/2 | 3 |
| Medium Pressure Oil Reels | | | | | | | | | | | | | |
| Maximum Temperature 210 °F (99 °C) | | | | | | | | | | | | | |
| 5400 OMP | 23 | 10 | 1/4 | 6 | .530 | 13 | 35 | 11 | 3000 | 207 | 3/8 | 3/8 | 1 |
| 5600 OMP | 24 | 11 | 3/8 | 10 | .690 | 18 | 30 | 9 | 3000 | 207 | 3/8 | 3/8 | 1 |
| High Pressure Grease Reels | | | | | | | | | | | | | |
| Maximum Temperature 210 °F (99 °C) | | | | | | | | | | | | | |
| 5400 OHP | 23 | 10 | 1/4 | 6 | .580 | 15 | 30 | 9 | 5000 | 345 | 1/4 | 1/4 | 1 |



Interactive Reel Catalog

Visit reelcraft.com/catalog for complete product specifications, available parts, and accessories.



Pivot Bases & Swing Brackets

See page 39