

## Clamps

## Three Segment - 13MHHM-3P

Tube OD	Service Pressure PSI Rating @ 70°F (21°C) <sup>1</sup>	Service Pressure PSI Rating @ 250°F (121°C) <sup>1</sup>	Dimension A	Stainless Steel Part #
1" - 1½"	<b>600</b>	<b>300</b>	2.122"	<b>13MHHM-3P100150</b>
2"	<b>550</b>	<b>275</b>	2.654"	<b>13MHHM-3P200</b>
2½"	<b>450</b>	<b>225</b>	3.185"	<b>13MHHM-3P250</b>
3"	<b>350</b>	<b>175</b>	3.717"	<b>13MHHM-3P300</b>
4"	<b>300</b>	<b>150</b>	4.820"	<b>13MHHM-3P400</b>
12"	<b>75</b>	<b>50</b>	12.740"	<b>13MHHM-3P1200</b>

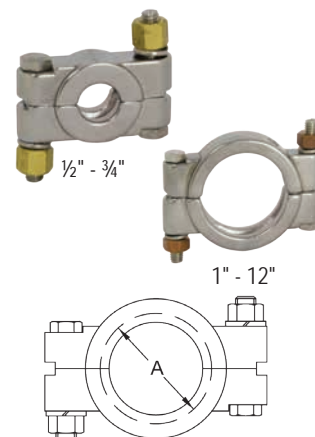
<sup>1</sup> wing nut tightened to 25 in. lb. of torque

Sanitary  
Fittings

## Bolted - 13MHP

Tube OD	Service Pressure PSI Rating @ 70°F (21°C) <sup>1</sup>	Service Pressure PSI Rating @ 250°F (121°C) <sup>1</sup>	Dimension A	Stainless Steel Part #
½" - ¾"	<b>1500</b>	<b>1200</b>	1.062"	<b>13MHP75</b>
1" - 1½"	<b>1500</b>	<b>1200</b>	2.046"	<b>13MHP100-150</b>
2"	<b>1000</b>	<b>800</b>	2.578"	<b>13MHP200</b>
2½"	<b>1000</b>	<b>800</b>	3.110"	<b>13MHP250</b>
3"	<b>1000</b>	<b>800</b>	3.640"	<b>13MHP300</b>
4"	<b>800</b>	<b>600</b>	4.744"	<b>13MHP400</b>
6"	<b>300</b>	<b>200</b>	6.632"	<b>13MHP600</b>
8"	<b>250</b>	<b>150</b>	8.638"	<b>13MHP800</b>
10"	<b>200</b>	<b>125</b>	10.740"	<b>13MHP1000</b>
12"	<b>150</b>	<b>100</b>	12.740"	<b>13MHP1200</b>

<sup>1</sup> all nuts are tightened to 20 ft. lbs. of torque



## Toggle - 13MHLA

Tube OD	Service Pressure PSI Rating @ 70°F (21°C) <sup>1</sup>	Service Pressure PSI Rating @ 250°F (121°C) <sup>1</sup>	Dimension A	304 Stainless Steel Part #
1" - 1½"	<b>150</b>	<b>125</b>	2.122"	<b>13MHLA100-150</b>
2"	<b>150</b>	<b>125</b>	2.654"	<b>13MHLA200</b>
2½"	<b>150</b>	<b>125</b>	3.185"	<b>13MHLA250</b>
3"	<b>150</b>	<b>125</b>	3.717"	<b>13MHLA300</b>
4"	<b>100</b>	<b>75</b>	4.820"	<b>13MHLA400</b>

<sup>1</sup> screw tightened to maximum



## T-bolt - 13MO

Tube OD	Service Pressure PSI Rating @ 70°F (21°C) <sup>1</sup>	Service Pressure PSI Rating @ 250°F (121°C) <sup>1</sup>	Dimension A	304 Stainless Steel Part #
1" - 1½"	<b>500</b>	<b>250</b>	2.080"	<b>13MO100-150</b>
2"	<b>350</b>	<b>200</b>	2.610"	<b>13MO200</b>
2½"	<b>300</b>	<b>150</b>	3.140"	<b>13MO250</b>
3"	<b>200</b>	<b>100</b>	3.670"	<b>13MO300</b>
4"	<b>100</b>	<b>75</b>	4.780"	<b>13MO400</b>
6"	<b>75</b>	<b>50</b>	6.690"	<b>13MO600</b>
8" <sup>2</sup>	<b>50</b>	<b>40</b>	8.690"	<b>13MO800</b>
10" <sup>2</sup>	<b>40</b>	<b>30</b>	10.690"	<b>13MO1000</b>
12" <sup>2</sup>	<b>30</b>	<b>25</b>	12.690"	<b>13MO1200</b>

<sup>1</sup> 1" - 3" nuts tightened to 20 in. lb., 4" nut tightened to 30 in. lb., 6" nut tightened to 40 in. lb. and 8" - 12" nuts tightened to 50 in. lb. of torque

<sup>2</sup> 2 bolt configuration

