

Weld End Blue Protection Covers - BCW

Feature:

- Use these covers to protect all weld ends on fittings and valves.

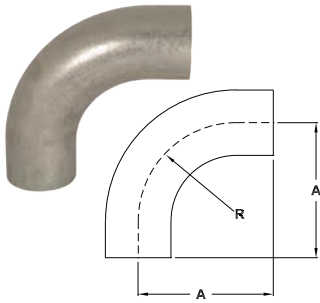
Sanitary Fittings



Size	Vinyl Plastic Part #
1/2"	BCW-050
3/4"	BCW-075
1"	BCW-100
1 1/2"	BCW-150
2"	BCW-200
2 1/2"	BCW-250
3"	BCW-300
4"	BCW-400
6"	BCW-600
8"	BCW-800

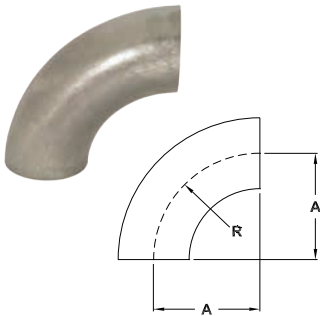
Unpolished Elbows

90° Weld with Tangents - B2S



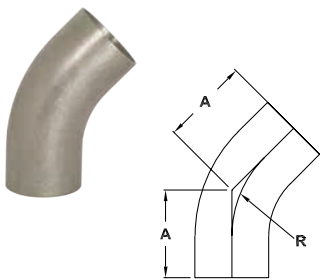
Tube OD	Dimensions		Wall Thickness	Unpolished 304 Stainless Steel Part #	Unpolished 316L Stainless Steel Part #
	A	R			
3/4"	3.000"	1.125"	.065"	---	B2S-R75U
1"	2.062"	1.500"	.065"	B2S-G100U	B2S-R100U
1 1/2"	2.937"	2.250"	.065"	B2S-G150U	B2S-R150U
2"	4.062"	3.000"	.065"	B2S-G200U	B2S-R200U
2 1/2"	5.187"	3.750"	.065"	B2S-G250U	B2S-R250U
3"	6.312"	4.500"	.065"	B2S-G300U	B2S-R300U
4"	8.312"	6.000"	.083"	B2S-G400U	B2S-R400U

90° Weld - B2WCL



Tube OD	Dimensions		Wall Thickness	Unpolished 304 Stainless Steel Part #	Unpolished 316L Stainless Steel Part #
	A	R			
1/2"	1.125"	1.125"	.065"	---	B2WCL-R50U
3/4"	1.125"	1.125"	.065"	---	B2WCL-R75U
1"	1.500"	1.500"	.065"	B2WCL-G100U	B2WCL-R100U
1 1/2"	2.250"	2.250"	.065"	B2WCL-G150U	B2WCL-R150U
2"	3.000"	3.000"	.065"	B2WCL-G200U	B2WCL-R200U
2 1/2"	3.750"	3.750"	.065"	B2WCL-G250U	B2WCL-R250U
3"	4.500"	4.500"	.065"	B2WCL-G300U	B2WCL-R300U
4"	6.000"	6.000"	.083"	B2WCL-G400U	B2WCL-R400U
6"	9.000"	9.000"	.109"	B2WCL-G600U	B2WCL-R600U
8"	12.000"	12.000"	.109"	B2WCL-G800U	B2WCL-R800U

45° Long Weld with Tangents - B2KS



Tube OD	Dimensions		Wall Thickness	Unpolished 304 Stainless Steel Part #	Unpolished 316L Stainless Steel Part #
	A	R			
3/4"	2.250"	1.125"	.065"	---	B2KS-R75U
1"	1.188"	1.500"	.065"	B2KS-G100U	B2KS-R100U
1 1/2"	1.625"	2.250"	.065"	B2KS-G150U	B2KS-R150U
2"	2.312"	3.000"	.065"	B2KS-G200U	B2KS-R200U
2 1/2"	3.000"	3.750"	.065"	B2KS-G250U	B2KS-R250U
3"	3.688"	4.500"	.065"	B2KS-G300U	B2KS-R300U
4"	4.812"	6.000"	.083"	B2KS-G400U	B2KS-R400U