

Premium Duty Spring Retractable Hose Reels

Air/Water/Oil/Grease - 1/4", 3/8", 1/2", 3/4" I.D.

- Retracts at the average human walking speed of 2 to 3 MPH
- Integral clutch creates a consistent retraction speed regardless of fluid or environmental temperatures
- Safely protects personnel and equipment

NEW!
Controlled
Return Hose Reel
REELSAFE



RS7650 OLP



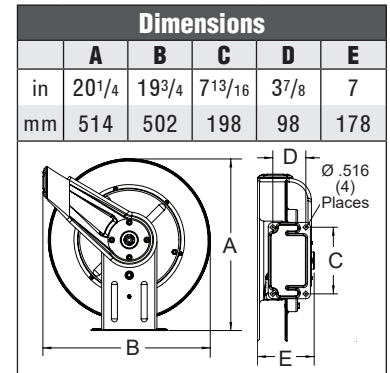
Additional Series RS7000 Models

Gas Welding Reels - Page 33

Model with hose & bumper	Shipping Weight		Hose I.D.		Hose O.D.		Hose Length		Max Pressure		NPT(M) Hose Outlet	NPT(F) Reel Inlet	NPT(F) Reel Outlet
	lbs	kg	in	mm	in	mm	ft	m	psi	bar	in	in	in
Low Pressure Air/Water Reels Maximum Temperature 150 °F (65 °C) Max working pressure is at 70 °F (20 °C)													
RS7650 OLP	46	21	3/8	10	.600	15	50	15	300	21	1/4	1/2	1/2
RS7670 OLP ★	50	23	3/8	10	.600	15	70	22	300	21	1/4	1/2	1/2
RS7850 OLP ★	50	23	1/2	13	.750	19	50	15	300	21	3/8	1/2	1/2
RS7925 OLP	50	23	3/4	19	1.075	27	25	8	250	17	3/4	3/4	3/4
Medium Pressure Oil Reels Maximum Temperature 210 °F (99 °C)													
RS7650 OMP	58	26	3/8	10	.690	18	50	15	2600	179	3/8	1/2	1/2
RS7850 OMP ★	60	27	1/2	13	.820	21	50	15	3000	207	1/2	1/2	1/2
High Pressure Grease Reels Maximum Temperature 210 °F (99 °C)													
RS7450 OHP	58	26	1/4	6	.580	15	50	15	5000	345	1/4	1/2	1/2
RS7650 OHP	63	29	3/8	10	.730	19	50	15	4800	331	1/4	1/2	1/2

Low pressure reels supplied with PVC hose. Medium pressure reels supplied with S.A.E. 100R1-AT (3/8") or S.A.E. 100R17 (1/2") one wire braid hose. High pressure reels supplied with S.A.E. 100 R2T two wire braid hose.

Model without hose & bumper	Shipping Weight		Hose Capacity			Max Pressure	NPT(F) Reel Inlet	NPT(F) Reel Outlet		
	lbs	kg	I.D.	O.D.	Length					
Low Pressure Air/Water Reels Maximum Temperature 210 °F (99 °C)										
RS7600 OLP	43	20	3/8	10	.600	16	500	35	1/2	1/2
RS7800 OLP	44	20	1/2	13	.750	19	500	35	1/2	1/2
Medium Pressure Oil Reels Maximum Temperature 210 °F (99 °C)										
RS7600 OMP	46	21	3/8	10	.690	18	3000	207	1/2	1/2
High Pressure Grease Reels Maximum Temperature 210 °F (99 °C)										
RS7400 OHP	46	21	1/4	6	.580	15	5000	345	1/2	1/2
RS7600 OHP	49	27	3/8	10	.730	19	5000	345	1/2	1/2



Pivot Bases & Swing Brackets
See page 39

Premium Duty Enclosed Hose Reels

Air/Water - 1/4", 3/8", 1/2" I.D.

- Features a steel enclosure that offers an additional level of protection for the hose
- Remove the cover on either side for easy access

5450 ELP



	1		2	
	in	mm	in	mm
A	15	381	20 ⁷ / ₈	530
B	16 ¹ / ₄	413	21 ¹ / ₈	537
C	9 ³ / ₄	248	7 ¹³ / ₁₆	198
D	2 ¹ / ₂	64	3 ⁷ / ₈	98
E	7	178	7 ⁵ / ₈	194

Model with hose & bumper	Shipping Weight		Hose I.D.		Hose O.D.		Hose Length		Max Pressure		NPT(M) Hose Outlet	NPT(F) Reel Inlet	NPT(F) Reel Outlet	Size Index #
	lbs	kg	in	mm	in	mm	ft	m	psi	bar	in	in	in	
Low Pressure Air/Water Reels Maximum Temperature 150 °F (65 °C) Max working pressure is 70 °F (20 °C)														
5450 ELP	37	17	1/4	6	.475	12	50	15	300	21	1/4	3/8	1/4	1
7650 ELP	63	29	3/8	10	.600	15	50	15	300	21	1/4	1/2	1/2	2
7670 ELP	68	31	3/8	10	.600	15	70	22	300	21	1/4	1/2	1/2	2
7850 ELP	74	34	1/2	13	.750	19	50	15	300	21	3/8	1/2	1/2	2

