

## Light Duty Hand Crank Hose Reels

**Air/Water** - 3/8", 1/2" I.D.

- Designed for lighter-duty applications that require longer lengths of low pressure hose
- Incorporates a balanced brass swivel, brass inlet, lighter weight components, and forward-thinking design
- All reels feature a drag break to prevent de-spooling when reel is not in use

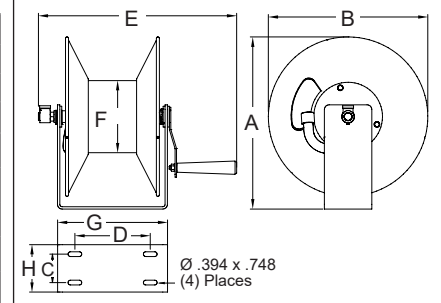


CU6050LN

**Additional Series C Models**  
**Pressure Wash Reels** - Page 22

	Dimensions							
	1		2		3		4	
	in	mm	in	mm	in	mm	in	mm
<b>A</b>	11 <sup>1</sup> / <sub>2</sub>	292	11 <sup>1</sup> / <sub>2</sub>	292	14 <sup>3</sup> / <sub>8</sub>	365	14 <sup>3</sup> / <sub>8</sub>	365
<b>B</b>	10 <sup>1</sup> / <sub>2</sub>	267	10 <sup>1</sup> / <sub>2</sub>	267	13 <sup>1</sup> / <sub>4</sub>	337	13 <sup>1</sup> / <sub>4</sub>	337
<b>C</b>	2	51	2	51	2 <sup>3</sup> / <sub>8</sub>	60	2 <sup>3</sup> / <sub>8</sub>	60
<b>D</b>	6 <sup>5</sup> / <sub>8</sub>	168	11 <sup>1</sup> / <sub>8</sub>	283	6 <sup>1</sup> / <sub>4</sub>	159	10 <sup>1</sup> / <sub>4</sub>	260
<b>E</b>	16 <sup>3</sup> / <sub>4</sub>	425	21 <sup>1</sup> / <sub>8</sub>	537	16 <sup>3</sup> / <sub>4</sub>	425	20 <sup>7</sup> / <sub>8</sub>	530
<b>F</b>	4	102	4	102	6	152	6	152
<b>G</b>	9 <sup>3</sup> / <sub>8</sub>	238	13 <sup>7</sup> / <sub>8</sub>	352	9 <sup>1</sup> / <sub>4</sub>	235	13 <sup>1</sup> / <sub>4</sub>	337
<b>H</b>	3 <sup>3</sup> / <sub>8</sub>	86	3 <sup>3</sup> / <sub>8</sub>	86	4	102	4	102

Model without hose	Shipping Weight		Hose Capacity				Max Pressure	NPT(F) Reel Inlet	NPT(F) Reel Outlet	Size Index Page	Size Index #			
	lbs	kg	I.D.	O.D.	Length	psi						bar		
Low Pressure Air/Water Reels Maximum Temperature 150 °F (65 °C)														
<b>CU6050LN</b>	12	5	3/8	10	.600	15	50	15	300	21	3/8	3/8	----	1
<b>CT6050LN</b>	13	6	3/8	10	.600	15	50	15	300	21	3/8	3/8	22	1
<b>CU6100LN</b>	16	7	3/8	10	.600	15	100	30	300	21	1/2	1/2	----	2
<b>CU8050LN</b>	13	6	1/2	13	.750	19	50	15	300	21	1/2	1/2	----	3
<b>CU8100LN</b>	20	9	1/2	13	.750	19	100	30	300	21	1/2	1/2	----	4



## Hand Crank and Motor Driven Reels

**Series 30000 - Air/Water/Oil** - 1/2", 3/4", 1" I.D.

- Designed for rugged applications requiring long lengths of hose and large storage capacity
- All-bolted unitized construction, full flow swivel and heavy gauge steel frame, spool, and drum ensure longest service life
- Vibration-proof, self-locking fasteners are ideal for industrial use
- Optional lock pin to prevent spool rotation when the reel is not in use, S600874



Removable gooseneck makes hose installation easy.



**Hand Crank**  
CA32112 L



**Motor Driven**  
EA33112 L12D

**NEW!**  
**Reel Covers**

See page 36



**Interactive Reel Catalog**



Visit [reelcraft.com/catalog](http://reelcraft.com/catalog) for complete product specifications, parts, and accessories.



**Rewind Motors & Operating Switches**  
See page 38



**Roller Guide Assemblies**  
See page 39