

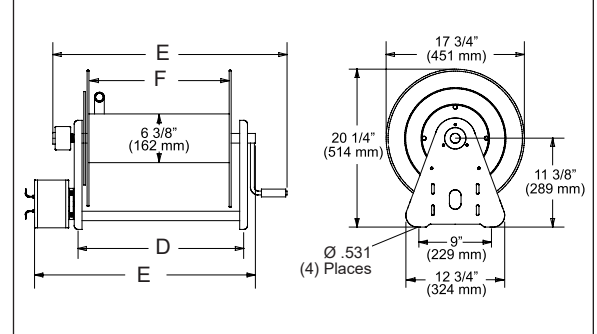
# Premium Duty Hand Crank / Motor Driven Reels | Series 30000

**E**   **A**   **3**   **3**   **1**   **06**   **L**   **12D**

<b>Drive Type</b> A - Air motor B - Bevel crank C - Hand crank E - Electric motor	<b>Swivel Size</b> 2 - 1/2" (13 mm) I.D. 3 - 3/4" (19 mm) I.D. 6 - 1/4" (6 mm) Dual 7 - 1" (25 mm) I.D. 8 - 1/2" (13 mm) I.D. pressure wash	<b>Width of Spool</b> See "F" Dimension 06 - 6" (152 mm) 12 - 12" (305 mm) 18 - 18" (457 mm)	<b>Motor Voltage/H.P.</b> Blank 12D - 12 V DC 4A - 1/2 HP air motor
<b>Fluid Path Type</b> A - Gooseneck H - Heavy duty gooseneck (1" only)	<b>Pressure</b> L - 1000 PSI (69 bar) M - 3000 PSI (207 bar)		

**NOTE:** Chart is for reference only. Not all options available in every combination. Reels cannot be ordered by selecting from this chart.

Hose I.D.	1/4"	3/8"	1/2"	3/4"	1"
	6 mm	10 mm	13 mm	19 mm	25 mm
Hose O.D.	.530"	.710"	.850"	1.188"	1.375"
	13 mm	18 mm	22 mm	30 mm	35 mm
"F" Width	Hose Capacity				
6"	200'	140'	100'	50'	N/A
152 mm	61 m	43 m	30 m	15 m	
12"	425'	300'	200'	100'	50'
305 mm	130 m	91 m	61 m	30 m	15 m
18"	625'	450'	325'	175'	100'
457 mm	191 m	137 m	99 m	54 m	31 m



**Additional Series 30000 Models**

**Pressure Wash** - Page 22   **Welding Gas** - Page 33  
**Hose Reel Cart** - Page 23   **Welding Cable** - Page 34

Models with a ★ icon are our most popular models.

Model without hose & bumper	Shipping Weight		Hose Capacity				Max Pressure		NPT(F) Reel Inlet	NPT(F) Reel Outlet	D		E		F			
	lbs	kg	I.D. in	I.D. mm	O.D. in	O.D. mm	ft	m	psi	bar	in	mm	in	mm	in	mm		
<b>Manual Hand Crank Hose Reels</b> Maximum Temperature 210 °F (99 °C)																		
<b>CA32112 L ★</b>	46	21	1/2	13	.750	19	200	61	1000	69	1/2	1/2	15 <sup>3</sup> / <sub>4</sub>	400	25 <sup>3</sup> / <sub>4</sub>	654	12	305
<b>CA32118 L</b>	51	23	1/2	13	.750	19	325	99	1000	69	1/2	1/2	21 <sup>3</sup> / <sub>4</sub>	552	31 <sup>3</sup> / <sub>4</sub>	806	18	457
<b>CA32106 M</b>	42	19	1/2	13	.850	22	100	30	3000	207	1/2	1/2	9 <sup>3</sup> / <sub>4</sub>	248	19 <sup>3</sup> / <sub>4</sub>	502	6	152
<b>CA32112 M</b>	46	21	1/2	13	.850	22	200	61	3000	207	1/2	1/2	15 <sup>3</sup> / <sub>4</sub>	400	25 <sup>3</sup> / <sub>4</sub>	654	12	305
<b>CA32118 M</b>	52	24	1/2	13	.850	22	325	99	3000	207	1/2	1/2	21 <sup>3</sup> / <sub>4</sub>	552	31 <sup>3</sup> / <sub>4</sub>	806	18	457
<b>CA33106 L</b>	41	19	3/4	19	1.075	27	50	15	1000	69	3/4	3/4	9 <sup>3</sup> / <sub>4</sub>	248	19 <sup>3</sup> / <sub>4</sub>	502	6	152
<b>CA33112 L ★</b>	46	21	3/4	19	1.075	27	100	30	1000	69	3/4	3/4	15 <sup>3</sup> / <sub>4</sub>	400	25 <sup>3</sup> / <sub>4</sub>	654	12	305
<b>CA33118 L</b>	51	23	3/4	19	1.075	27	175	53	1000	69	3/4	3/4	21 <sup>3</sup> / <sub>4</sub>	552	31 <sup>3</sup> / <sub>4</sub>	806	18	457
<b>CA33112 M</b>	47	21	3/4	19	1.188	30	100	30	3000	207	3/4	3/4	15 <sup>3</sup> / <sub>4</sub>	400	25 <sup>3</sup> / <sub>4</sub>	654	12	305
<b>CA33118 M</b>	51	23	3/4	19	1.188	30	175	53	3000	207	3/4	3/4	21 <sup>3</sup> / <sub>4</sub>	552	31 <sup>3</sup> / <sub>4</sub>	806	18	457
<b>CH37112 L*</b>	60	27	1	25	1.375	35	50	15	1000	69	1	1	15 <sup>3</sup> / <sub>4</sub>	400	25 <sup>3</sup> / <sub>4</sub>	654	12	305
<b>CH37118 L*</b>	64	29	1	25	1.375	35	100	30	1000	69	1	1	21 <sup>3</sup> / <sub>4</sub>	552	31 <sup>3</sup> / <sub>4</sub>	806	18	457
<b>Electric Motor Driven Hose Reels</b> Maximum Temperature 210 °F (99 °C)																		
<b>EA32106 L12D</b>	60	27	1/2	13	.750	19	100	30	1000	69	1/2	1/2	9 <sup>3</sup> / <sub>4</sub>	248	19 <sup>5</sup> / <sub>8</sub>	498	6	152
<b>EA32112 L12D</b>	64	29	1/2	13	.750	19	200	61	1000	69	1/2	1/2	15 <sup>3</sup> / <sub>4</sub>	400	23 <sup>7</sup> / <sub>8</sub>	606	12	305
<b>EA32118 L12D</b>	68	31	1/2	13	.750	19	325	99	1000	69	1/2	1/2	21 <sup>3</sup> / <sub>4</sub>	552	29 <sup>5</sup> / <sub>8</sub>	752	18	457
<b>EA33106 L12D</b>	63	29	3/4	19	1.075	27	50	15	1000	69	3/4	3/4	9 <sup>3</sup> / <sub>4</sub>	248	19 <sup>5</sup> / <sub>8</sub>	498	6	152
<b>EA33112 L12D</b>	68	31	3/4	19	1.075	27	100	30	1000	69	3/4	3/4	15 <sup>3</sup> / <sub>4</sub>	400	23 <sup>7</sup> / <sub>8</sub>	606	12	305
<b>EA33118 L12D ★</b>	68	31	3/4	19	1.075	27	175	53	1000	69	3/4	3/4	21 <sup>3</sup> / <sub>4</sub>	552	29 <sup>5</sup> / <sub>8</sub>	752	18	457
<b>EH37118 L12D*</b>	82	37	1	25	1.375	35	100	30	1000	69	1	1	21 <sup>3</sup> / <sub>4</sub>	552	31	787	18	457
<b>Air Motor Driven Hose Reels</b> Filter, regulator, lubricator required. Maximum Temperature 210 °F (99 °C)																		
<b>AA32106 L4A</b>	54	24	1/2	13	.750	19	100	30	1000	69	1/2	1/2	9 <sup>3</sup> / <sub>4</sub>	248	17 <sup>1</sup> / <sub>4</sub>	438	6	152

**CAUTION:** To prevent drum damage fully extend and pressurize hose and rewind on the reel. \*All 1 in. reel models have an 8 in. (203 mm) diameter drum.

Many more reel models available in addition to chart. Refer to reelcraft.com for details.