

Lubricator L08 EconOmist™



Specifications

Flow Capacity*	1/4	52 SCFM (25 dm ³ /s, ANR)
Initial Drip Flow		1.3 SCFM
Maximum Supply Pressure	Plastic Bowl Metal Bowl	150 PSIG (10.3 bar) 250 PSIG (17.2 bar)
Minimum Flow for Lubrication		1.3 SCFM @ 100 PSIG
Operating Temperature	Plastic Bowl Metal Bowl	14° to 125°F (-10° to 52°C) 14° to 150°F (-10° to 65.5°C)
Port Size		NPT / BSPP-G 1/4
Bowl Capacity		0.6 oz
Weight		0.29 lb. (0.13 kg)

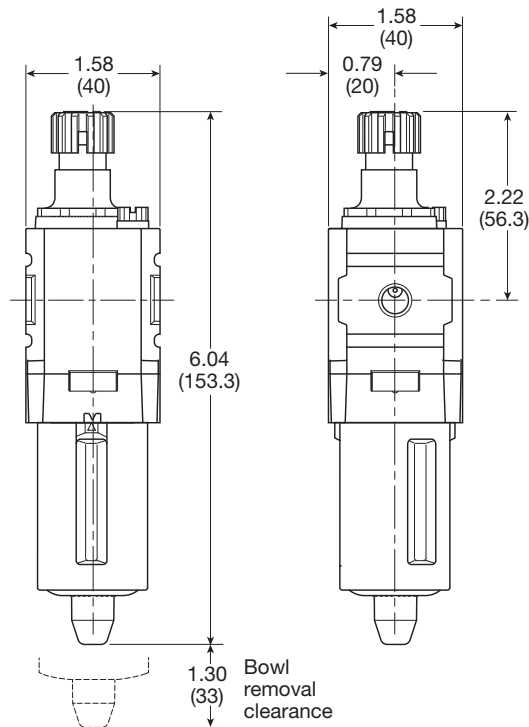
* Inlet pressure 91.3 PSIG (6.3 bar). Pressure drop 4.9 PSID (0.34 bar).

Materials of Construction

Body	Aluminum	
Body Cap	ABS	
Bowls	Plastic Bowl Metal Bowl	Polycarbonate Aluminum
Pick-up Filter	Sintered Bronze	
Seals	Plastic Bowl Metal Bowl	Nitrile Nitrile
Sight Dome	Polycarbonate	
Suggested Lubricant	Airline Oil F442001	

Features

- Integral Sight Dome and Adjustment Knob
- Fill-under Pressure Design
- Modern Design and Appearance
- Light Weight
- High Flow Capacity
- Quick-disconnect Bowl



Inches (mm)

B

Filters, Regulators, Lubricators

= "Most Popular"

Replacement Bowl Kits

- Metal Bowl –
 - Manual Drain GRP-96-714
 - No Drain Port..... GRP-96-715

- Plastic Bowl –
 - Bowl Guard, Manual Drain LRP-96-736
 - Bowl Guard, No Drain Port LRP-96-713

Replacement Kits

- Bowl O-ring –
 - Fluorocarbon GRP-96-711
 - Nitrile..... GRP-96-710

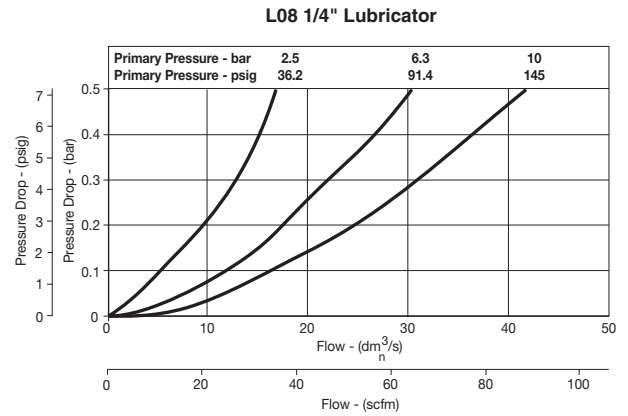
- Fill Plug Kit LRP-96-730

- Sight Dome Assembly –
 - Nylon..... LRP-96-720
 - Polycarbonate, L08-XX-KXXX LRP-96-725

- Siphon Tube Assembly LRP-96-731

Accessories

- Wall Mounting Bracket –
 - C-Type GPA-97-010
 - T-Type GPA-96-737



B
Filters, Regulators, Lubricators

Ordering Information

Model Type	Port Size	Plastic Bowl / Bowl Guard	Metal Bowl / No Sight Gauge
No Drain	1/4	L08-02-KC00B	L08-02-KD00B
Manual Drain	1/4	L08-02-KK00B	L08-02-KL00B

Options - To order an option supplied with the unit model, add the appropriate coded suffix letter in the designated position of the model number.