

# Lubricator L28 EconOmist™

**B**

Filters, Regulators, Lubricators



## Specifications

Flow Capacity*	3/8	110 SCFM (52 dm <sup>3</sup> /s, ANR)
	1/2	110 SCFM (52 dm <sup>3</sup> /s, ANR)
	3/4	150 SCFM (71 dm <sup>3</sup> /s, ANR)
Initial Drip Flow	1.26 SCFM	
Maximum Supply Pressure	Plastic Bowl	150 PSIG (10.3 bar)
	Metal Bowl	250 PSIG (17.2 bar)
Minimum Flow for Lubrication	1.3 SCFM @ 100 PSIG	
Operating Temperature	Plastic Bowl	14° to 125°F (-10° to 52°C)
	Metal Bowl	14° to 150°F (-10° to 65.5°C)
Port Size	NPT / BSPP-G	3/8, 1/2, 3/4
Bowl Capacity	6 oz	
Weight	1.04 lb. (0.47 kg)	

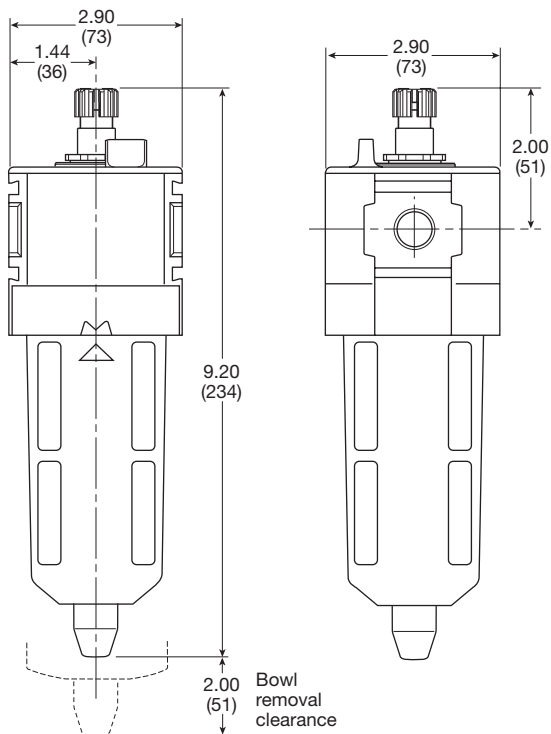
\* Inlet pressure 91.3 PSIG (6.3 bar). Pressure drop 4.9 PSID (0.34 bar).

## Materials of Construction

Body	Aluminum	
Body Cap	ABS	
Bowls	Plastic Bowl	Polycarbonate
	Metal Bowl	Aluminum
Pick-up Filter	Sintered Bronze	
Seals	Plastic Bowl	Nitrile
	Metal Bowl	Nitrile
Sight Dome	Polycarbonate	
Sight Gauge	Metal Bowl	Polyamide (Nylon)
Suggested Lubricant	Airline Oil F442001	

## Features

- Integral Sight Dome and Adjustment Knob
- 3/4" NPT / BSPP-G Over-port
- Can be Filled while Under Pressure
- Quick-disconnect Bowl / Bowl Guard
- High Flow Capacities



Inches (mm)

= "Most Popular"

### Replacement Bowl Kits

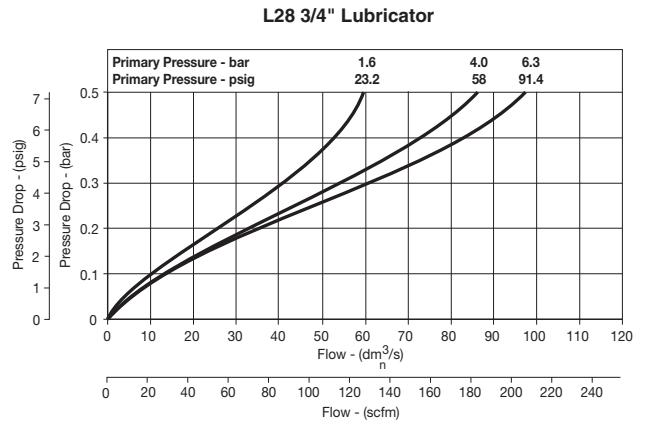
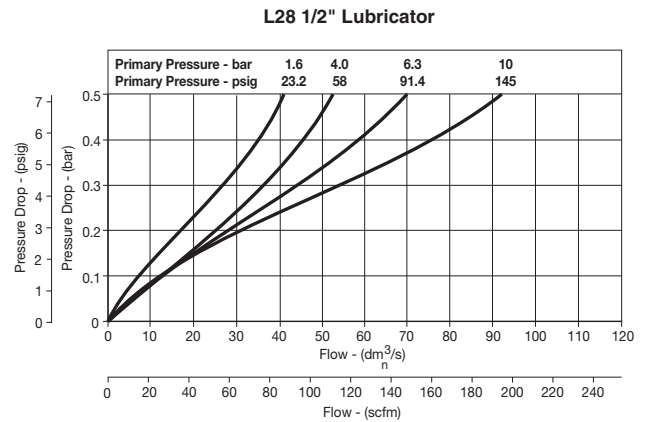
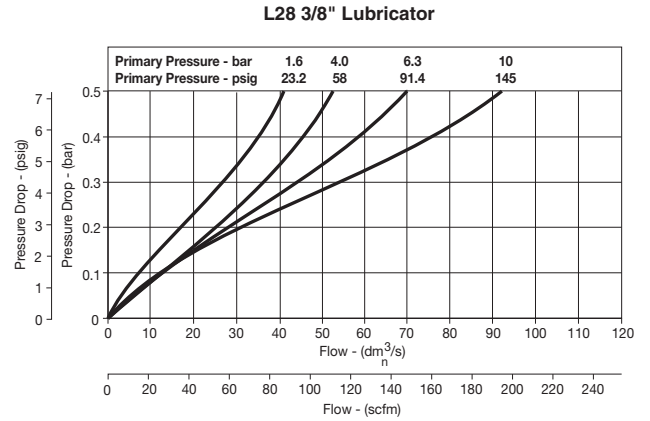
- Metal Bowl with Sight Gauge, Manual Drain..... GRP-96-644
- Plastic Bowl / Bowl Guard, Manual Drain..... LRP-96-702

### Replacement Kits

- Bowl O-ring, Nitrile..... GRP-96-654
- Bowl O-ring, Fluorocarbon..... GRP-96-755
- Bypass Assembly..... LRP-96-678
- Fill Plug Kit..... LRP-96-679
- Sight Dome Assembly –
  - Polycarbonate, L28-XX-KK00..... LRP-96-310
  - Nylon..... LRP-96-312
- Siphon Tube Assembly..... LRP-96-681

### Accessories

- Force Fill Adapter..... LRP-96-704
- Sight Gauge Kit..... GRP-96-825
- Wall Mounting Bracket –
  - L-Type..... GPA-96-605
  - T-Type..... GPA-96-602



**B**  
Filters, Regulators, Lubricators

### Ordering Information

Model Type	Port Size	Plastic Bowl / Bowl Guard	Metal Bowl / Sight Gauge
<b>No Drain</b>	3/8	L28-03-KC00B	L28-03-KD00B
	1/2	L28-04-KC00B	L28-04-KD00B
	3/4	L28-06-KC00B	L28-06-KD00B
<b>Manual Drain</b>	3/8	L28-03-KK00B	L28-03-KL00B
	1/2	L28-04-KK00B	L28-04-KL00B
	3/4	L28-06-KK00B	L28-06-KL00B

**Options** - To order an option supplied with the unit model, add the appropriate coded suffix letter in the designated position of the model number.