

SAE STANDARD CONNECTIONS

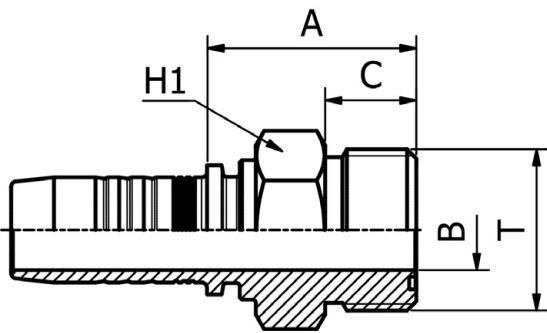
M22582F

**90° JIC FEMALE COMPACT ELBOW
37° CONE SEAT**

SAE J516 / ISO 12151-5 (THRUST-WIRE NUT)

PART. REF.	HOSE BORE			Thread	DIMENSIONS mm						
	DN	Dash	inch		T	B	A	C	E	H1	H2
M22582-04-04F	6	- 4	1/4"	7/16" - 20	4.0	20.0	8.7	20.5	14.0	17.0	
M22582-04-06F	6	- 4	1/4"	9/16" - 18	7.0	20.0	9.2	21.5	14.0	19.0	
M22582-06-06F	10	- 6	3/8"	9/16" - 18	7.0	23.0	9.2	24.0	19.0	19.0	
M22582-06-08F	10	- 6	3/8"	3/4" - 16	9.3	26.5	10.2	28.0	22.0	22.0	
M22582-08-08F	12	- 8	1/2"	3/4" - 16	9.3	25.0	10.2	28.0	22.0	22.0	
M22582-08-10F	12	- 8	1/2"	7/8" - 14	12.5	25.0	12.3	29.0	22.0	27.0	
M22582-12-12F	19	- 12	3/4"	1.1/16" - 12	15.0	37.5	14.2	33.0	27.0	32.0	
M22582-16-16F	25	- 16	1"	1.5/16" - 12	20.0	52.0	15.0	40.0	36.0	38.0	

FITTINGS 132



SAE STANDARD CONNECTIONS

M12410

**ORFS MALE
SAE J516 / ISO 12151-1**

PART. REF.	HOSE BORE			Thread	DIMENSIONS mm						
	DN	Dash	inch		T	B	A	C	H1		
M12410-04-04	6	- 4	1/4"	9/16" - 18	4.0	24.0	9.8	16.0			
M12410-04-06	6	- 4	1/4"	11/16" - 16	6.7	26.5	11.2	19.0			
M12410-05-06	8	- 5	5/16"	11/16" - 16	6.7	27.0	11.2	19.0			
M12410-06-06	10	- 6	3/8"	11/16" - 16	6.7	27.5	11.2	19.0			
M12410-06-08	10	- 6	3/8"	13/16" - 16	9.3	30.0	12.8	22.0			
M12410-08-06	12	- 8	1/2"	11/16" - 16	6.7	29.0	11.2	22.0			
M12410-08-08	12	- 8	1/2"	13/16" - 16	9.3	30.5	12.8	22.0			
M12410-08-10	12	- 8	1/2"	1" - 14	12.5	35.0	15.5	27.0			
M12410-08-12	12	- 8	1/2"	1.3/16" - 12	15.0	37.5	17.0	32.0			
M12410-10-08	16	- 10	5/8"	13/16" - 16	9.3	30.5	12.8	22.0			
M12410-10-10	16	- 10	5/8"	1" - 14	12.5	34.5	15.5	27.0			
M12410-10-12	16	- 10	5/8"	1.3/16" - 12	15.0	37.5	17.0	32.0			
M12410-12-12	19	- 12	3/4"	1.3/16" - 12	15.0	39.0	17.0	32.0			
M12410-12-16	19	- 12	3/4"	1.7/16" - 12	19.8	40.5	17.5	38.0			
M12410-16-16	25	- 16	1"	1.7/16" - 12	19.8	42.0	17.5	38.0			
M12410-16-20	25	- 16	1"	1.11/16" - 12	26.0	44.0	17.5	46.0			
M12410-20-20	31	- 20	1.1/4"	1.11/16" - 12	26.0	46.5	17.5	46.0			
M12410-24-24	38	- 24	1.1/2"	2" - 12	32.0	48.5	17.5	55.0			