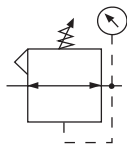
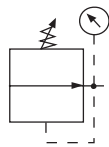


# Regulator R08



Relieving



Non-Relieving

B

Filters, Regulators, Lubricators

## Features

- Balanced Valve Design
- 2 Gauge Ports
- Serviceability and Ease of Maintenance
- Unique Flush-mounted Pressure Gauge
- Light Weight
- Modern Design and Appearance

## Specifications

Flow Capacity*	1/4	68 SCFM (32 dm <sup>3</sup> /s, ANR)
Adjusting Range Pressure		0 to 30 PSIG (0 to 2 bar)
		0 to 60 PSIG (0 to 4 bar)
		0 to 125 PSIG (0 to 8 bar)
		0 to 232 PSIG (0 to 16 bar)
Gauge Port (2 ea.)**	NPT / BSPP-G	1/8
Maximum Supply Pressure		300 PSIG (20.7 bar)
Operating Temperature†		-4° to 150°F (-20° to 65.5°C)
Port Size	NPT / BSPP-G	1/4
Weight		0.37 lb. (0.17 kg)

\* Inlet pressure 145 psig (10 bar). Secondary pressure 91.3 psig (6.3 bar) and 14.5 psig (1 bar) pressure drop.

\*\* Non-gauge option only.

† Units with square gauges: 5°F to 150°F (-15°C to 65.5°C)

## Materials of Construction

Adjustment Knob	Acetal
Body	Aluminum
Body Cap	ABS
Bonnet	PBT
Diaphragm Assembly	Brass / Nitrile
Panel Nut	Acetal
Seals	Nitrile
Springs	Steel
Valve Assembly	Brass / Nitrile

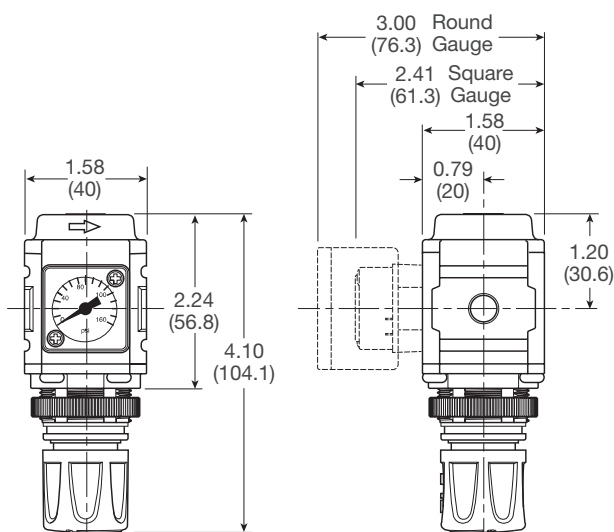
### ⚠ WARNING

**Product rupture can cause serious injury.  
Do not connect regulator to bottled gas.  
Do not exceed maximum primary pressure rating.**

### CAUTION:

**REGULATOR PRESSURE ADJUSTMENT** – The working range of knob adjustment is designed to permit outlet pressures within their full range. Pressure adjustment beyond this range is also possible because the knob is not a limiting device. This is a common characteristic of most industrial regulators, and limiting devices may be obtained only by special design.

For best performance, regulated pressure should always be set by increasing the pressure up to the desired setting.



Inches (mm)

**NOTE:** 1.20 in. (30mm) hole required for panel nut mounting.

= "Most Popular"

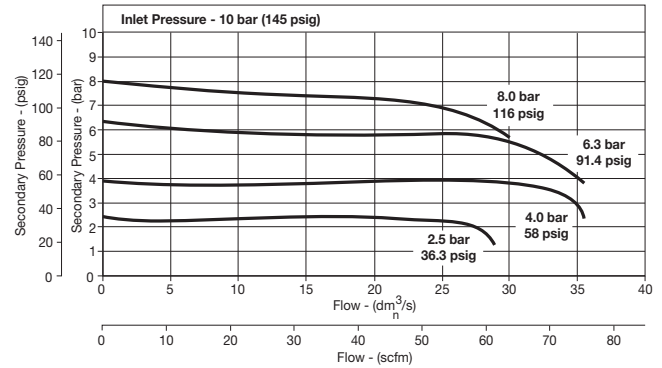
### Replacement Kits

- Diaphragm Assembly –
  - Non-relieving ..... GRP-96-726B
  - Relieving ..... GRP-96-725B
- Spring, Regulating –
  - 0 to 125 PSIG (0 to 8.6 bar) ..... GRP-96-717B

### Accessories

- Adjusting Knob ..... RRP-16-005-000
- Panel Mount Nut –
  - Aluminum ..... RPA-96-733
  - Plastic ..... RPA-96-734
- Pressure Gauge –
  - Flush Mounted –
    - 0 to 150 PSIG ..... K4511SCR160
    - 0 to 60 PSIG ..... K4511SCR060
    - 0 to 4 bar ..... K4511SCR04B
    - 0 to 11 bar ..... K4511SCR11B
  - Square with adapter kit
    - 0-4 bar ..... P6G-PR10040
    - 0-11 bar ..... P6G-PR10110
    - 0-60 PSIG ..... P6G-PR90060
    - 0-160 PSIG ..... P6G-PR90160
  - 0 to 60 PSIG (0 to 4.1 bar),
    - 1-1/2" Dial Face, 1/8 NPT, CBM ..... K4515N18060
  - 0 to 160 PSIG (0 to 11.0 bar),
    - 1-1/2" Dial Face, 1/8 NPT, CBM ..... K4515N18160
- Tamper Resistant Kit ..... RPA-96-735
- Tamperproof Lock and Cover Kit
  - (lock not included) ..... RPA-96-736
- Wall Mounting Bracket –
  - C-Type ..... GPA-97-010
  - L-Type ..... GRP-96-739
  - T-Type ..... GPA-96-737

R08 1/4" Regulator



B  
Filters, Regulators, Lubricators

### Ordering Information

Model Type	Port Size	With Gauge 0 to 125 PSIG (0 to 8.6 bar)	With Gauge 0 to 30 PSIG (0 to 2.1 bar)	With Gauge 0 to 60 PSIG (0 to 4.1 bar)	Without Gauge 0 to 125 PSIG (0 to 8.6 bar)
Relieving	1/4	R08-02-F0G0B	R08-02-C0G0B	R08-02-D0G0B	R08-02-F000B

**Options** - To order an option supplied with the unit model, add the appropriate coded suffix letter in the designated position of the model number.