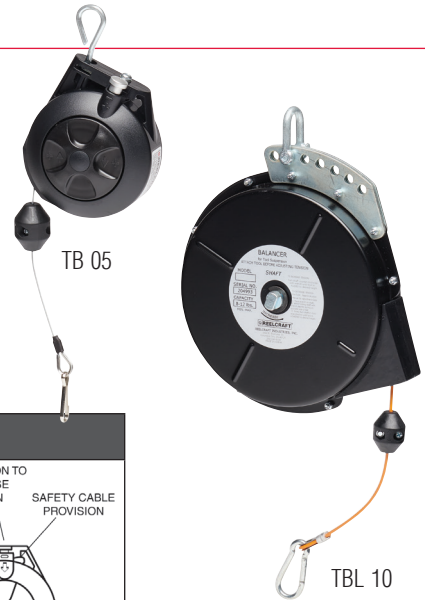


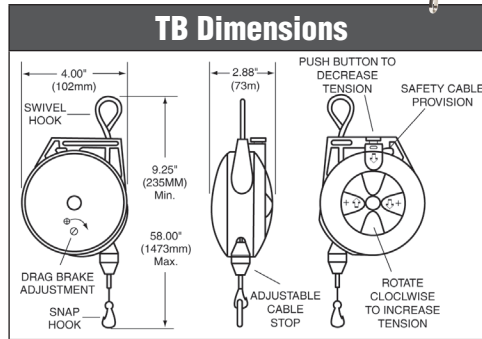
Spring Retractable Tool Balancers Series TB / TBL

- Balances the weight of assembly tools, making them nearly weightless
- Increases productivity by keeping tools positioned for immediate use with minimal operator motion
- Reduces tool damage by preventing tools from being accidentally dropped
- Reduces operator fatigue and improves safety and ergonomic



| Model | Min - Max Load | | Cable Length* | | Shipping Weight | | Ratchet Lock |
|---------------|----------------|------------|---------------|-----|-----------------|-----|--------------|
| | lbs | kg | ft | m | lbs | kg | |
| TB 01 | 0.0 - 1.5 | 0.0 - 0.7 | 6 | 1.8 | 1.0 | 0.5 | NO |
| TB 03 | 1.5 - 3.0 | 0.7 - 1.4 | 6 | 1.8 | 1.0 | 0.5 | NO |
| TB 05 | 3.0 - 5.0 | 1.4 - 2.3 | 6 | 1.8 | 1.5 | 1 | NO |
| TBL 10 | 5.0 - 10 | 2.3 - 4.5 | 8 | 2.4 | 9 | 4 | YES |
| TBL 15 | 10 - 15 | 4.5 - 6.8 | 8 | 2.4 | 10 | 4.5 | YES |
| TBL 23 | 16 - 23 | 7.2 - 10.4 | 8 | 2.4 | 10 | 4.5 | YES |

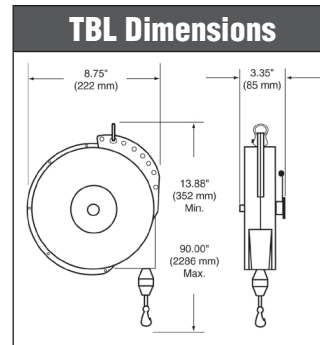
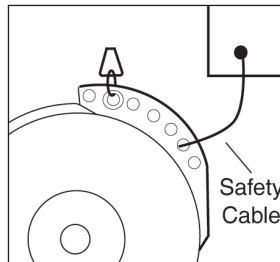
*Cable lengths listed are "active" or "working" cable. Maximum temperature 150 °F (65 °C). **May be adjusted to balance through 6-18 in (152-457 mm) range



Strongly recommended, secondary steel cable or steel link chain. Prevents balancer from accidental fall. Balancers have extra holes for cable or chain.

| Overhang Cable (not included) | |
|-----------------------------------|-------------------|
| Model No. | Length |
| 600605-3 | 3.0 ft / 91.5 cm |
| 600605-5 | 5.0 ft / 152.4 cm |
| Safety Cable/Chain (not included) | |
| 600603* | 1.0 ft / 30.5 cm |
| 600604** | 1.0 ft / 30.5 cm |

Cables can be combined for added length *Nylon covered steel cable (1-6 lbs models) **Steel link chain (10-23 lbs models)



Bumper - S602413
Included with each model.

Safety Clip - 261241
Bright zinc plated steel cable and safety latch for tool attachment and other uses. Measures 2.375" (60 mm) long. Included with each model.

Heavy Duty Reel Protective Covers



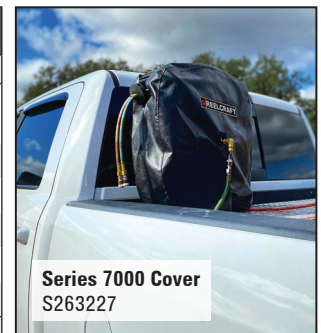
NEW!

- Designed to withstand the rigors and abuse of daily use
- High quality polyester fabric with PVC coating proven to resist puncture, tears, and abrasion
- Superior UV resistance to resist fading and degradation
- Accommodates multiple guide arm positions
- Low temperature resistance to cracking (rated to -40 °F)
- Flame Resistant – NFPA 286, NFPA 701, ASTM E84, ASTM D 6413



Series 80000 Cover
S263229

| Model | Reel Series | Reel Models | Dimensions |
|----------------|-------------|---|-----------------|
| | | | L x W x H (in) |
| S263227 | 7000 | 7000, RS7000, GC7000, TH7000, F7000, UR7000, PW7000, SW7000, TW7000, RSTW7000 | 22 x 5.5 x 21.5 |
| S263228 | WC7000 | WC7000, WCH7000 | 22 x 5.5 x 21.5 |
| S263221 | HD70000 | HD70000, FHD70000, L 70000 123 X, SWHD70000, TWH70000 | 22 x 6.5 x 21.5 |
| S263229 | 80000 | 80000, GC80000, TH80000, F80000, UR80000, PW80000, LP82000, TW80000 | 26 x 7.5 x 26.5 |
| S263230 | WC80000 | WC80001, WC80002, WCH80001 | 26 x 7.5 x 26.5 |
| S263231 | 30000* | CA30112 L, CA32112 L, CA32112 M, CA33112 L, CA33112 M, CA38112 M | 18 x 18.5 x 21 |



Series 7000 Cover
S263227

Photo courtesy of CB Welding Solutions

NOTES: Applicable to all reels in series regardless of hose size or pressure rating. *Series 30000: fits all hand crank reels with 12" wide spools except live cord reels. Not intended for use on Series 30000 reels while in use.